

TYPE PSE DEAD-FRONT 6-COMPARTMENT PAD-MOUNTED SWITCHGEAR 15kV • 25kV



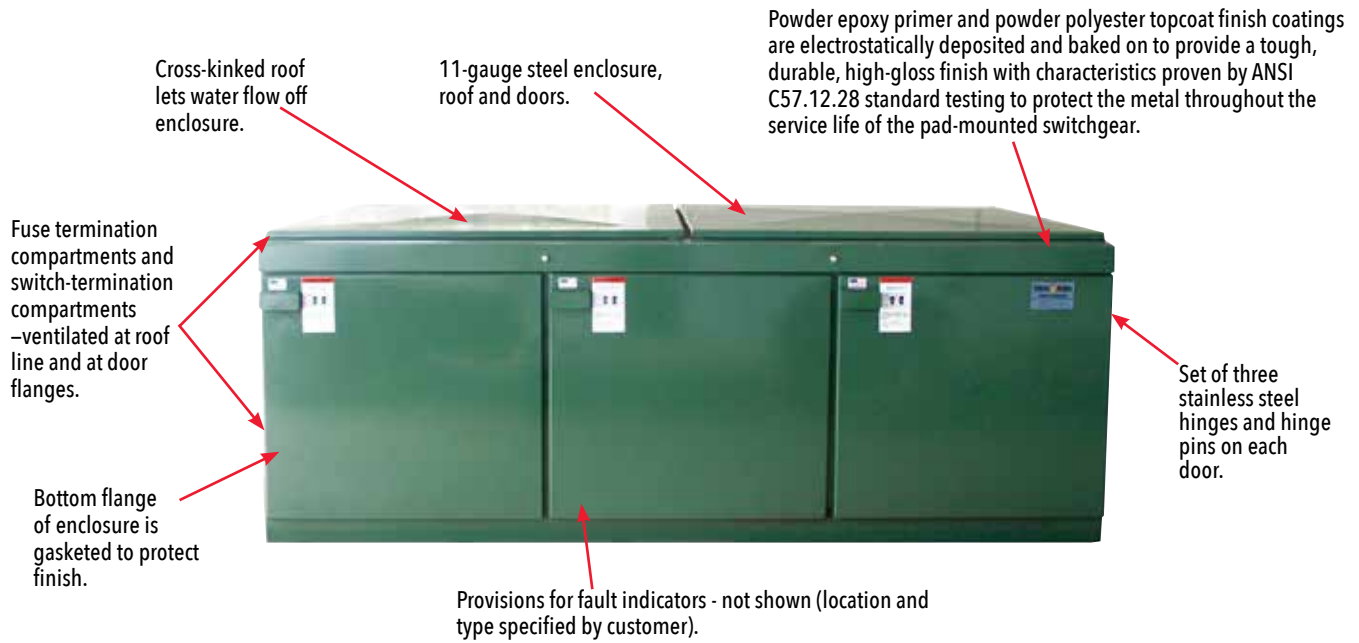
The 6-Compartment Federal Pacific Dead-Front PSE Pad-Mounted Switchgear (available as UL® Listed) expands the load segmentation possibilities for underground distribution systems by allowing larger concentrated loads to be served from a single enclosure, requiring less space and less expense.

Features:

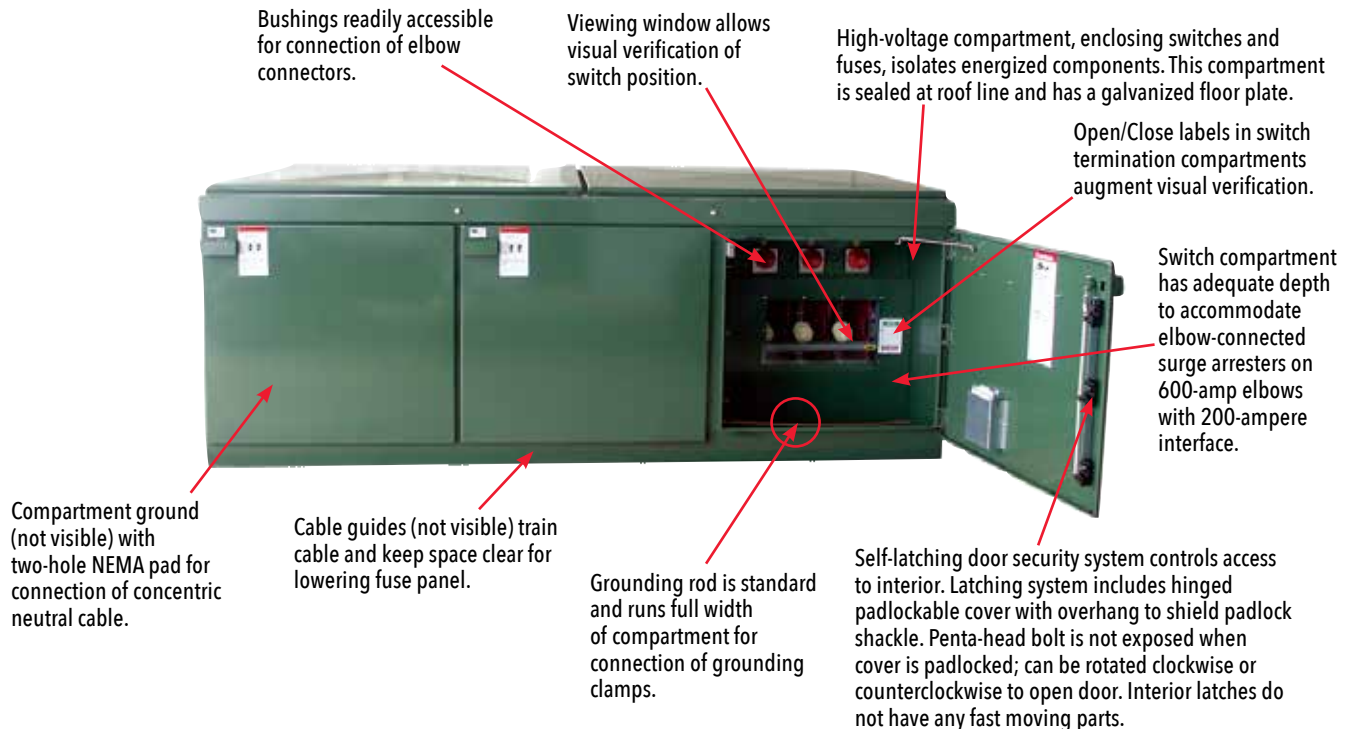
- Available as UL® Listed
- Dead-Front 600-Ampere Switch Compartments
- Dead-Front three-phase 200-Ampere Fuse Compartments
- Manual, Automatic Source Transfer, and SCADA Controlled
- Up to 4 - 600 ampere switches with three-phase sets of fused feeders in a single enclosure
- Up to 5 - three-phase sets of fused feeders in a single enclosure, with one or more 600-ampere switches
- 5-600 ampere switches in a bus-tie arrangement (no fuse positions))
- Meets all preferred and optional ratings in IEEE C37.74.
- Meets Enclosure Security requirements in ANSI C57.12.28
- Other configurations as needed, consult factory
- 1200-ampere models, consult factory

Federal Pacific 6-Compartment, Dead-Front PSE Pad-Mounted Switchgear provides the convenience of installing a single enclosure with two 600-ampere switches and up to four three-phase sets of fuses, or five 600-ampere switches in a bus-tie arrangement. Installations with concentrated loads can now be served from a single switchgear assembly. The six-compartment configurations require less land space than two four-compartment units, which was the only choice in the past. In addition, the 6-compartment units are more economical than two four-compartment units.

TYPE PSE MANUAL DEAD-FRONT PAD-MOUNTED SWITCHGEAR

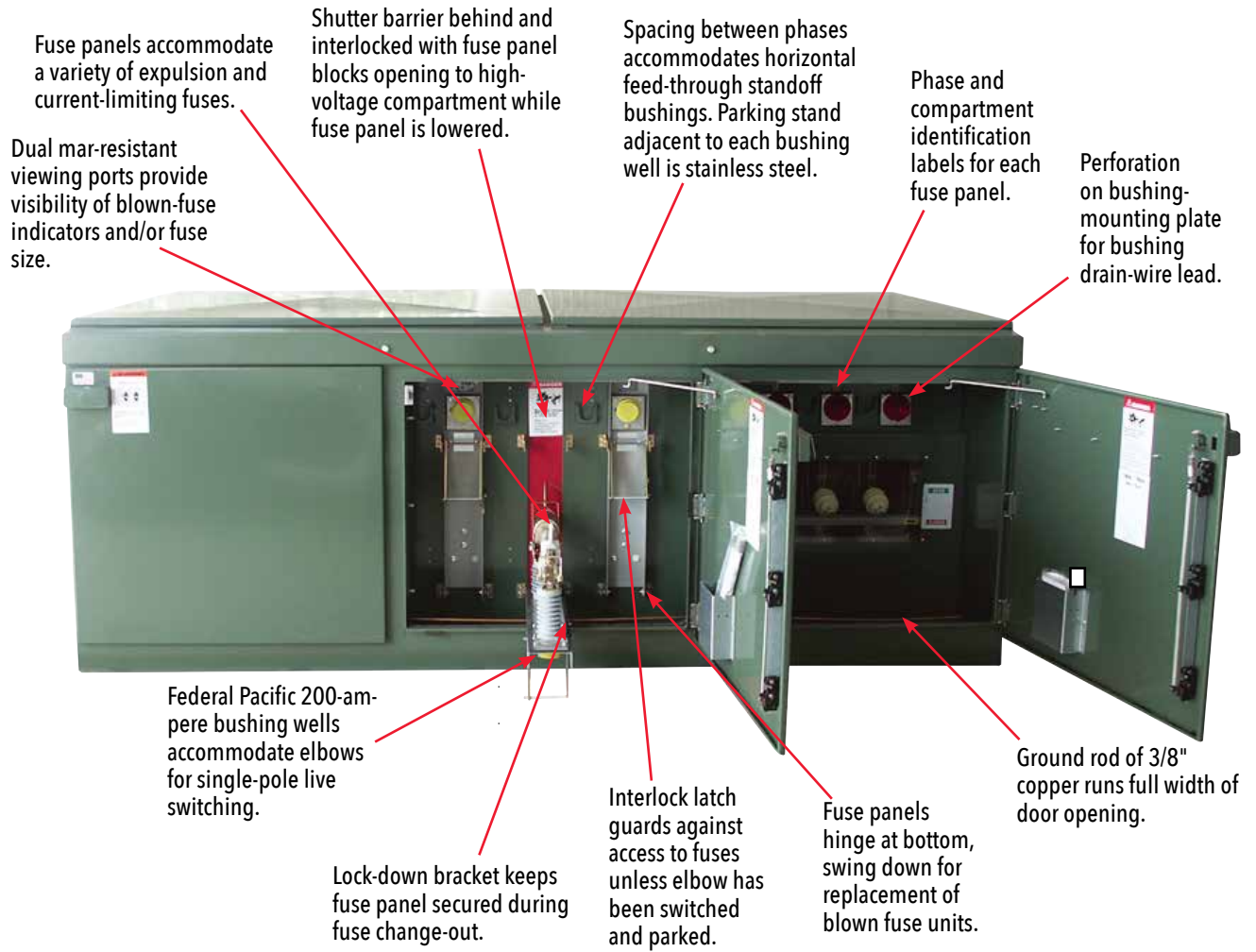


Enclosure integrity and security is assured with Federal Pacific Dead-Front Type PSE Pad-Mounted Switchgear.



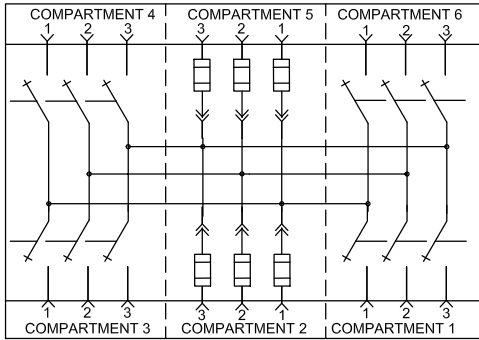
Dead-Front switches, in compartments on left and on right, utilize 600-ampere bushings, accommodating 600-ampere elbow connectors. Dead-Front fuses in center compartment accommodate 200-amp load-break inserts and elbows.

TYPE PSE MANUAL DEAD-FRONT PAD-MOUNTED SWITCHGEAR

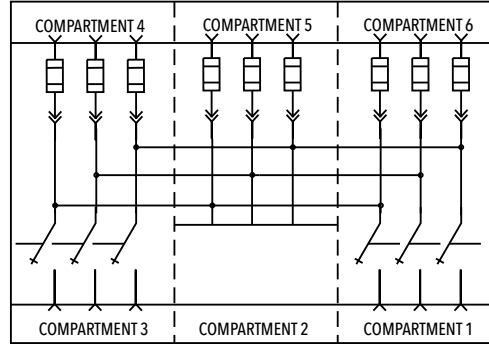


Interior view of fuse-termination compartments of Federal Pacific Dead-Front 6-Compartment Pad-Mounted Switchgear accommodates a wide variety of fuses rated to 200-amperes.

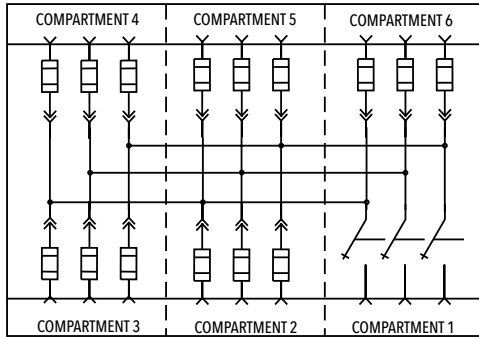
15kV 6-Compartment Dead-Front Circuit Configurations



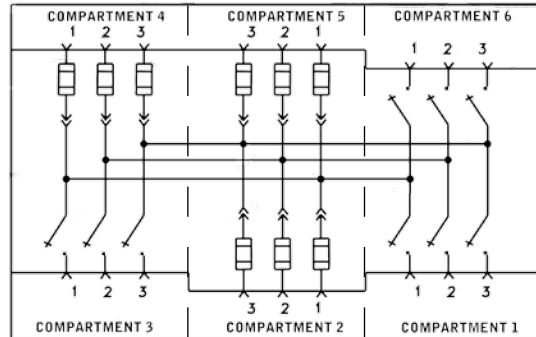
Drawing Number 37-3146-001 – Four incoming switches and two fused feeders



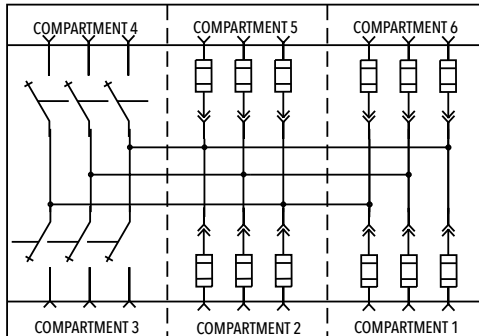
Drawing Number 37-3146-002 – Two incoming switches and three fused feeders



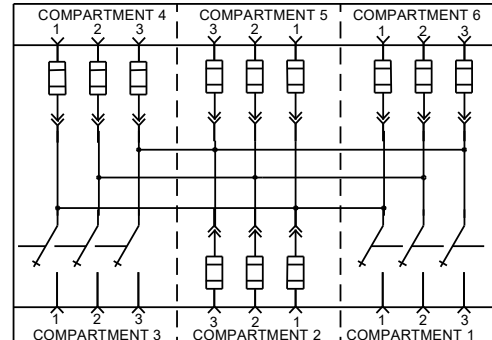
Drawing Number 37-3146-003 – One incoming switch and five fused feeders



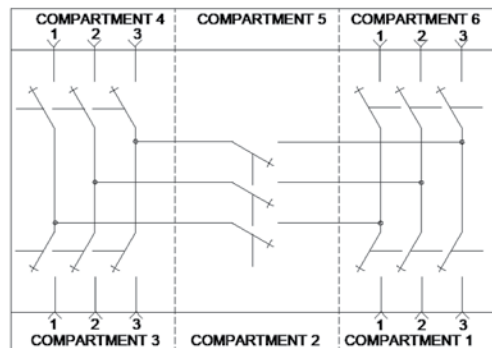
Drawing Number 37-3146-004 – Three incoming switches and three fused feeders



Drawing Number 37-3146-007 – Two adjacent incoming switches and four fused feeders



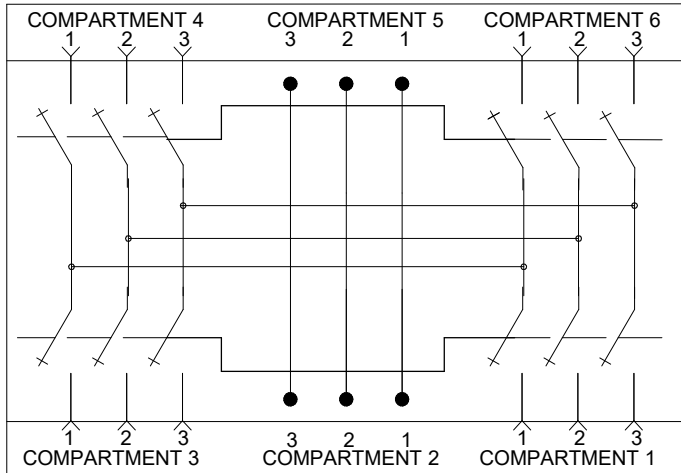
Drawing Number 37-3146-024 – Two opposite incoming switched ways and four fused load ways



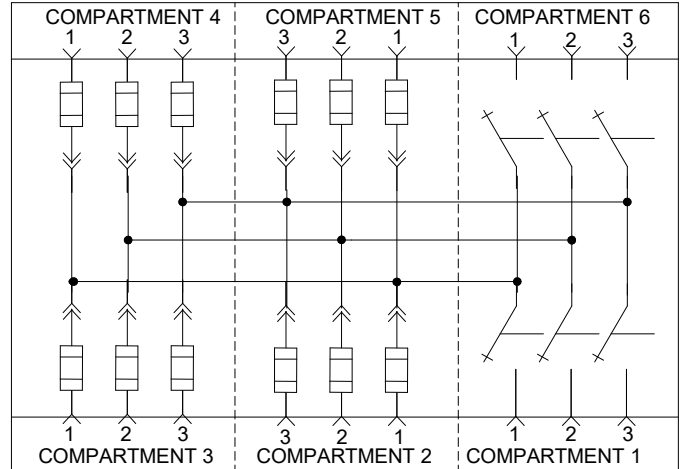
Drawing Number 37-3146-021 – Bus tie configuration: C1 – C6 bus, C3 – C4 bus, and tie switch in C2/C5.

Typical configurations for models of Federal Pacific 15kV Dead-Front 6-Compartment Pad-Mounted Switchgear. Consult factory for other available circuit configurations. Dimensions vary depending on circuit configuration, however, a typical dimension is 50"H x 123"W x 72.75"D. Do not use these dimensions for construction purposes.

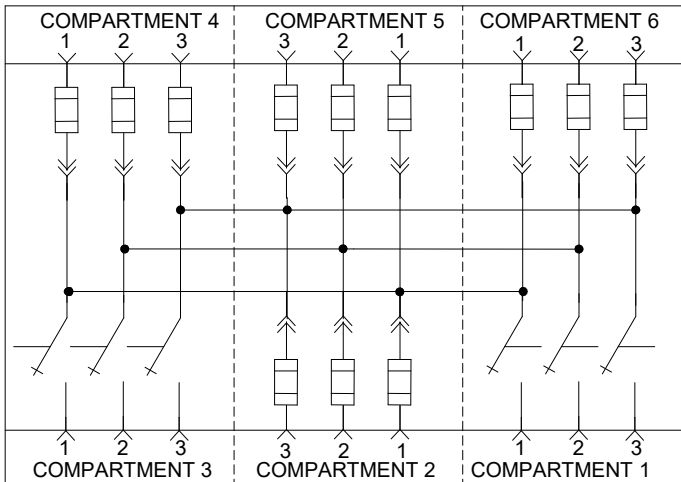
25kV 6-Compartment Dead-Front Circuit Configurations



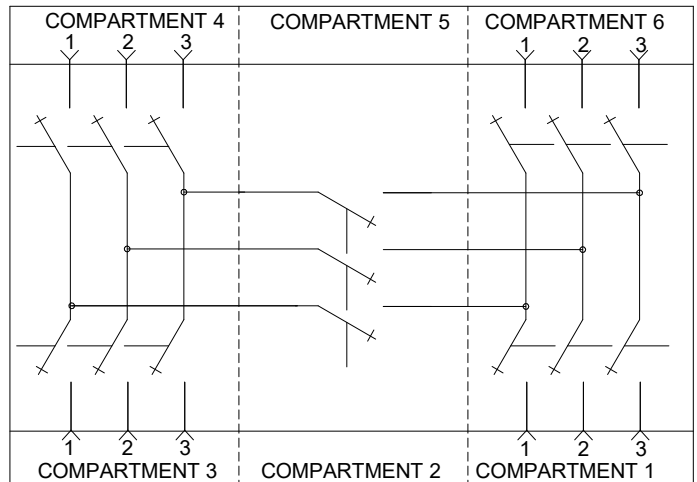
37-3256-001 (PSE-56400) - Four switched ways and two termination bus ways.



37-3256-003 (PSE-56242) -- Two adjacent switched ways and four fused ways.



37-3256-009 (PSE-56242-600/200) Two opposite switched ways and four fused ways.



37-3256-010B (PSE-56500) -- Bus tie configuration : C1-C6 and C3-C4 with tie switch in C2/C5

Typical configurations for models of Federal Pacific 25kV Dead-Front 6-Compartment Pad-Mounted Switchgear. Consult factory for other available circuit configurations. Dimensions vary depending on circuit configuration, however, a typical footprint dimension is 138-7/8"W x 88-1/4"D, with typical heights ranging from 53-3/8" H to 59-1/4" H. Do not use these dimensions for construction purposes.